

# REMINGTON®

EST. NEW YORK 1937

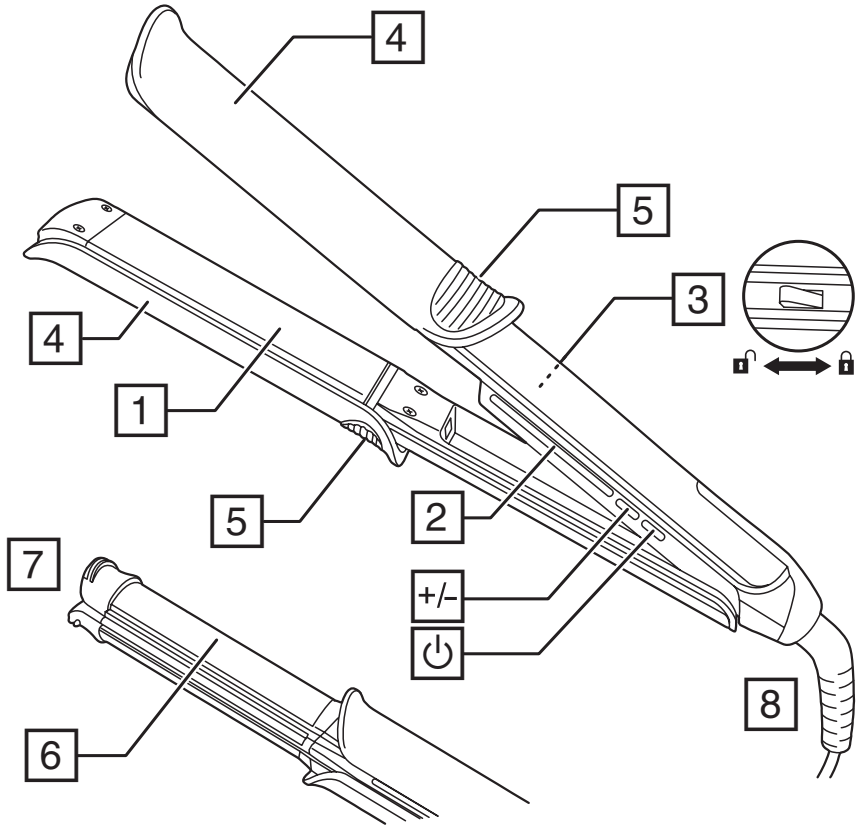


## **ONE Straight and Curl Styler S6077**

 [remington-europe.com](http://remington-europe.com)

**Register online for an EXTRA year guarantee**

Visit [uk.remington-europe.com/product-registration](http://uk.remington-europe.com/product-registration) You must register within 28 days of purchase.



Thank you for buying your new Remington® product. Please read these instructions carefully and keep them safe. Remove all packaging before use.

WARNING: This appliance is hot. Keep out of reach of children at all times.

---

## IMPORTANT SAFEGUARDS

---

- This appliance can be used by children aged from 8 years and above and persons with reduced physical, sensory or mental capabilities or lack of experience and knowledge if they have been supervised/instructed and understand the hazards involved. Children shall not play with the appliance. Cleaning and user maintenance shall not be done by children unless they are older than 8 and supervised. Keep the appliance and cable out of reach of children under 8 years.
- ⊘ Do not use this appliance near bathtubs, showers, basins or other vessels containing water.
- When the appliance is used in a bathroom, unplug it after use since the proximity of water presents a hazard even when the appliance is switched off.
- For additional protection, the installation of a residual current device (RCD) having a rated residual operating current not exceeding 30 mA is advisable in the electrical circuit supplying the bathroom\*.

\* Currently, the fitting in a bathroom of an electrical socket suitable or capable of operating the appliance is not permitted in the UK (see BS7671).

- Burn hazard. Keep the appliance out of reach from young children, particularly during use and while cooling down.
- Never leave the appliance unattended when it is connected to the power supply.
- Always place the appliance with its stand, if any, on a heat-resistant, stable flat surface.
- If the supply cord of this unit becomes damaged, discontinue use immediately and return the appliance to your nearest authorised Remington® service dealer for repair or replacement in order to avoid a hazard.

- Do not allow any part of the appliance touch the face, neck or scalp.
- Keep the power plug and cord away from heated surfaces.
- Do not use attachments other than those we supply.
- Do not use the appliance if it is damaged or malfunctions.
- Do not twist or kink the cable, or wrap it round the appliance. Check the cord regularly for any signs of damage.
- This appliance is not intended for commercial or salon use.

## PARTS

1. 110mm plates with ceramic coating
2. Display
3. Plate lock
4. Sliding covers
5. Cover grip
6. 32mm barrel with ceramic coating
7. Cool tip
8. Swivel cord

### Controls:

- ⏻ On/Off button
- +/- Temperature control button

### Accessories (not shown):

- Styling glove
- Storage pouch

## ADDITIONAL FEATURES

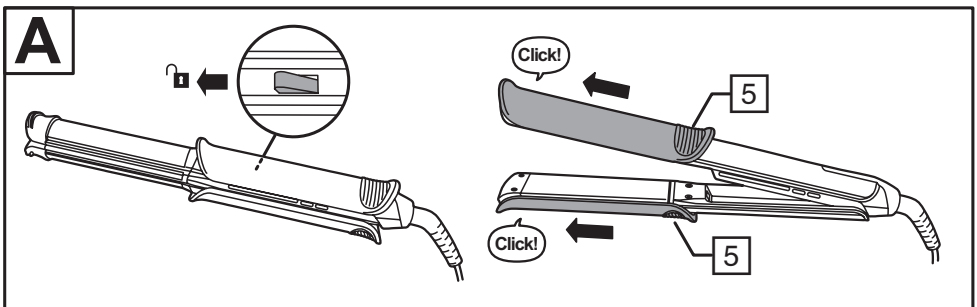
- Fast heat up—ready to use in 20 seconds.
- Automatic safety shut off – this unit will switch itself off if no button is pressed or it is left on after 60 minutes.
- Multivoltage: for home or abroad. At 120V times and temperatures may vary.

## SELECTING THE STYLING MODE


- Before plugging in and switching on your styler, follow the steps below and re-position the sliding covers to select the styling mode you require.

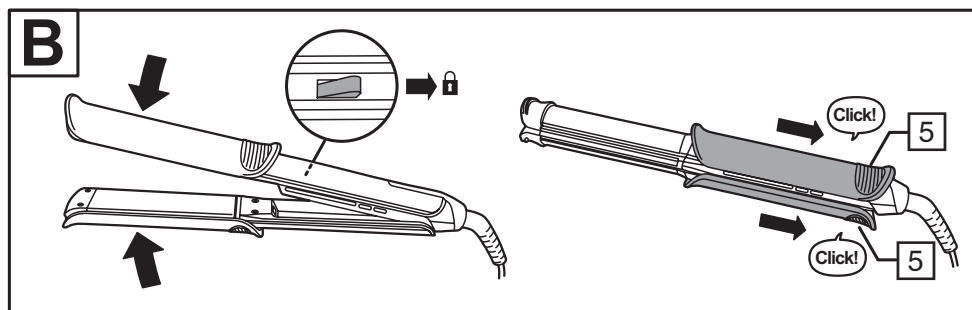
### Straight Mode


1. If required, unlock the plates by moving the plate lock to the unlock position.
  2. Slide the covers so that they are both positioned over the barrel (Fig. A). When they are correctly positioned, they will click into place and shouldn't move.
- In Straight mode, only the plates will heat up.




## Curl Mode

1. Close and lock the plates together by moving the plate lock to the lock position .
  2. Slide the covers so that they are both positioned over the handle (Fig. B). When they are correctly positioned, they will click into place and shouldn't move.
- In Curl mode, only the barrel will heat up.



 **CAUTION:** The sliding covers can become hot when in Straight mode, if you plan to use your styler in both modes (Straight and Curl) in the same session, turn off your styler and allow it to cool for 2-3 minutes before re-positioning the covers. Handle the covers in the area of the cover grips.

## USING

1. Select the required styling mode - see Selecting the Styling Mode.
2. Plug your styler into the mains power supply.
3. Press the  button to switch on.
4. The display will indicate the activated mode and the selected temperature:
  - **STRAIGHT** Straight mode with heated plates.
  - **CURL** Curl mode with heated barrel.
5. Select the appropriate temperature for your hair using the +/- control button on the side of the product. Start styling on the lower temperatures first.
6. When the styler is ready to use, and the selected temperature has been reached the display will stop flashing.

## RECOMMENDED TEMPERATURES

### Straight Mode

Temperature	Hair type
150-170°C	Thin / fine, damaged or bleached hair
190°C	Normal, healthy hair
210-230°C	Thick, very curly and difficult to style hair

### Curl Mode

Temperature	Hair type
150-170°C	Thin / fine, damaged or bleached hair
190°C	Normal, healthy hair
210°C	Thick, very curly and difficult to style hair

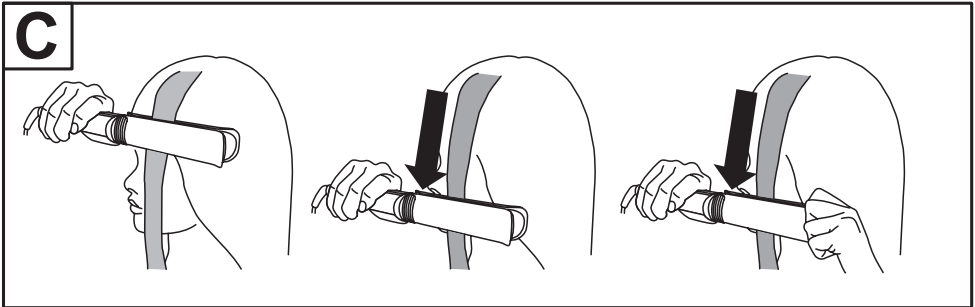
**Caution:** the hottest temperatures should only be used by experienced stylists

## STYLING TIPS

- Before use, ensure your hair is clean, dry and tangle-free.
- For extra protection use a heat protection spray.
- Hairsprays contain flammable material - do not use while using this product.
- Section the hair prior to styling. Style the lower layers first then work up towards your parting.
- Let your hair cool before further styling and brushing; this will help to prolong the curls.

### **Straight Mode - Straightening your hair**

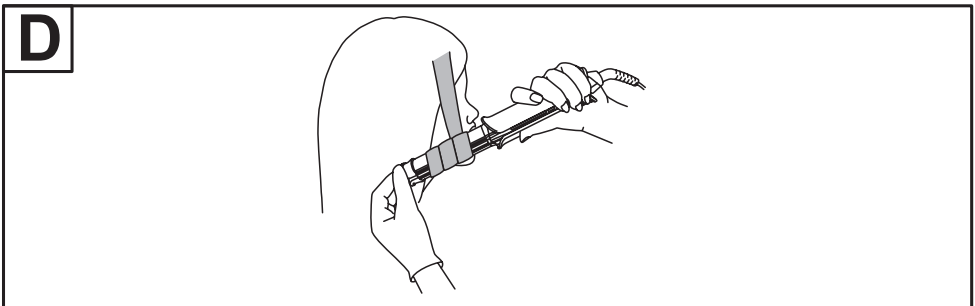
- Select Straight mode - see Selecting the Styling Mode. This will heat only the plates.
1. Take a 3-5 cm section of hair and place it between the plates near to the roots.
  2. Close the plates and steadily glide down the entire length of the hair without stopping (Fig. C).
  - TIP: You can grip the end of the plates for extra tension if required.
  3. Repeat this around the head.



### **Curl Mode - Curling your hair**

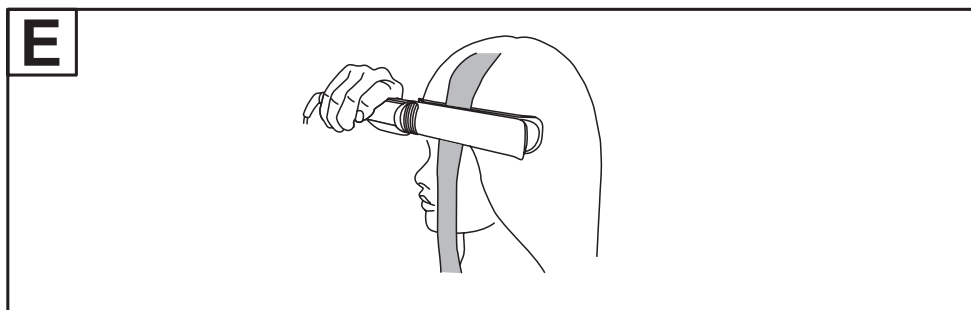
- Select Curl mode - see Selecting the Styling Mode. This will heat only the barrel.
  - Use the styling glove to avoid accidental burns
1. Hold the handle with the cool tip facing down and wrap a 3-5cm section of hair around the barrel (Fig. D).
  2. Wait about 10-20 seconds for the curl to form.
  3. Unwind the hair and release the curl.

Repeat this around the head to create as many curls as desired.

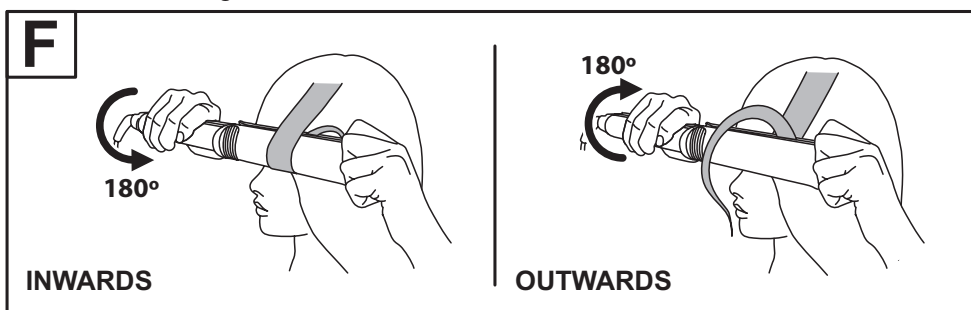


## Straight Mode - Curling your hair

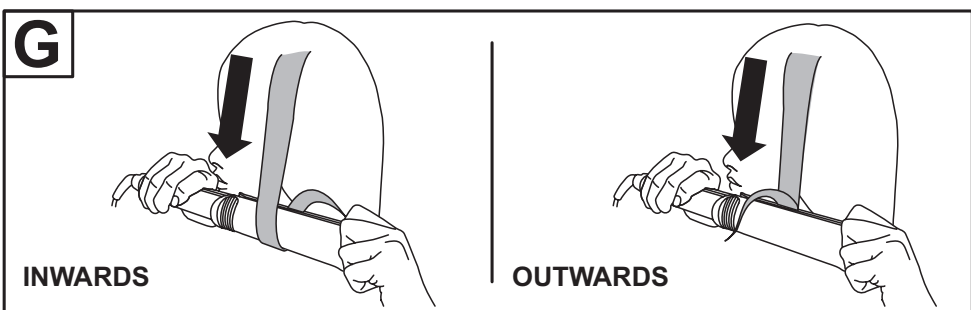
- Select Straight mode - see Selecting the Styling Mode. This will heat only the plates.
1. Take a 3-5 cm section of hair and place it between the plates near to the roots and close the plates (Fig. E).



2. Hold the tips together and turn the styler half a turn ( $180^\circ$ ) then keep it in this position. You can turn the styler inwards or outwards depending on whether you want inward or outward curls (Fig. F).



3. Very slowly glide the styler down the hair without stopping until the hair is released (Fig. G).
4. Repeat this around the head to create as many curls as desired.



---

## STORAGE, CLEANING AND MAINTENANCE

---

### Let the appliance cool down before cleaning and storing away

- After use, press and hold the on/off (⏻) button for two seconds to turn off then unplug the appliance.
- Wipe all surfaces with a damp cloth.
- Don't use harsh or abrasive cleaning agents or solvents.

The plates can be locked together for easy storage:

To lock, move the plate lock to the locked position .

To unlock, move the plate lock to the unlocked position.

**NOTE:** When in Straight mode do not heat the unit in the locked position.



---

## RECYCLING

---



To avoid environmental and health problems due to hazardous substances, appliances and rechargeable and non-rechargeable batteries marked with one of these symbols must not be disposed of with unsorted municipal waste. Always dispose of electrical and electronic products and, where applicable, rechargeable and non-rechargeable batteries, at an appropriate official recycling/collection point.

---

## SERVICE AND GUARANTEE

---



Defects affecting product functionality appearing within the guarantee period will be corrected by replacement or repair at our option provided the product is used and maintained in accordance with the instructions. Your statutory rights are not affected.

This warranty shall not be valid where it is contrary to U.S. and other applicable laws, or where the warranty would be prohibited under any economic sanctions, export control laws, embargos, or other restrictive trade measures enforced by the United States or other applicable jurisdictions. This includes, without limitation, any warranty claims implicating parties from, or otherwise located in, Cuba, Iran, North Korea, Syria and the Crimea region. To claim an extra 1 year guarantee, register your product online within 28 days of purchase.

Register at: <https://uk.remington-europe.com/product-registration>

Consumables are guaranteed only for their recommended lifecycle. Replacement/spare parts\* are excluded and are only covered by a 1 year warranty.

\*Examples include, but are not limited to, adaptors, haircare attachments, grooming accessories, etc.

---

## SERVICE CENTRE

---

### United Kingdom

 0800 212 438 (free call mainland UK)

Spectrum Brands (UK) Ltd

Fir Street, Failsworth, Manchester

M35 0HS, UK

[www.remington.co.uk](http://www.remington.co.uk)

Product support:

[productsupport@remington.co.uk](mailto:productsupport@remington.co.uk)

### Ireland

 142 951 40

Remington Consumer Products,

Unit B12, Ballymount Corporate Park,

Ballymount, Dublin 12

<https://ie.remington-europe.com>

Product support:

[productsupport@remington.co.uk](mailto:productsupport@remington.co.uk)

## **Ref. No. S6077**

### **Type No. S33A**

23/UK/ S6077 T22-7002929 Version 03 /23

Remington® is a Registered Trade Mark of Spectrum Brands, Inc., or one of its subsidiaries.

Spectrum Brands (UK) Ltd

Fir Street,

Failsworth,

Manchester

M35 0HS

[remington-europe.com](http://remington-europe.com)

© 2023 Spectrum Brands, Inc.