

# REMINGTON®

EST. NEW YORK 1937

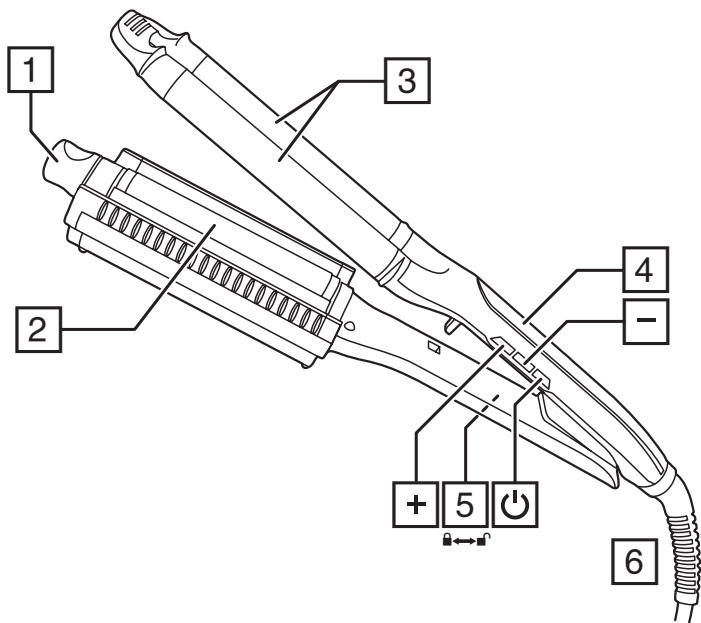


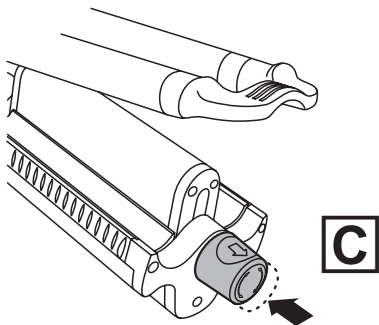
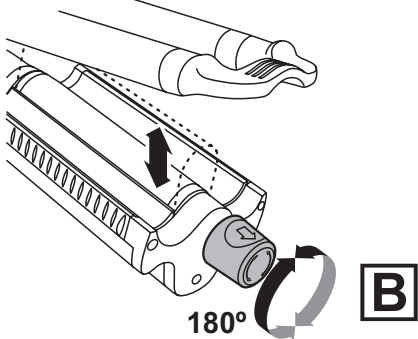
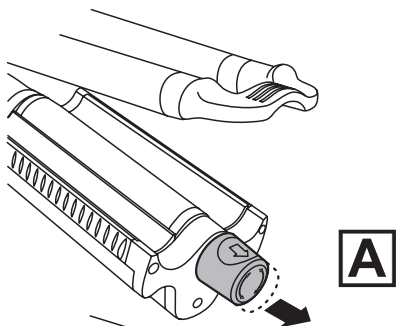
## **PROluxe 4-in-1 Adjustable Waver CI91AW**

 [remington-europe.com](http://remington-europe.com)

**Register online for an EXTRA year guarantee**

Visit [uk.remington-europe.com/product-registration](http://uk.remington-europe.com/product-registration) You must register within 28 days of purchase.






Thank you for buying your new Remington® product. Please read these instructions carefully and keep them safe. Remove all packaging before use.

**WARNING: This appliance is hot. Keep out of reach of children at all times.**

---

## IMPORTANT SAFEGUARDS

---

- This appliance can be used by children aged from 8 years and above and persons with reduced physical, sensory or mental capabilities or lack of experience and knowledge if they have been supervised/instructed and understand the hazards involved. Children shall not play with the appliance. Cleaning and user maintenance shall not be done by children unless they are older than 8 and supervised. Keep the appliance and cable out of reach of children under 8 years.
  -  Do not use this appliance near bathtubs, showers, basins or other vessels containing water.
  - When the appliance is used in a bathroom, unplug it after use since the proximity of water presents a hazard even when the appliance is switched off.
  - For additional protection, the installation of a residual current device (RCD) having a rated residual operating current not exceeding 30 mA is advisable in the electrical circuit supplying the bathroom\*.
- \* Currently, the fitting in a bathroom of an electrical socket suitable or capable of operating the appliance is not permitted in the UK (see BS7671).
- Burn hazard. Keep the appliance out of reach from young children, particularly during use and while cooling down.
  - Never leave the appliance unattended when it is connected to the power supply.
  - Always place the appliance with its stand, if any, on a heat-resistant, stable flat surface.

- If the supply cord of this unit becomes damaged, discontinue use immediately and return the appliance to your nearest authorised Remington® service dealer for repair or replacement in order to avoid a hazard.
- Do not allow any part of the appliance touch the face, neck or scalp.
- Keep the power plug and cord away from heated surfaces.
- Do not use attachments other than those we supply.
- Do not use the appliance if it is damaged or malfunctions.
- Do not twist or kink the cable, or wrap it round the appliance. Check the cord regularly for any sign damage.
- This appliance is not intended for commercial or salon use.

---

## PARTS

---

- |                                 |                           |
|---------------------------------|---------------------------|
| 1. Adjustable barrel dial       | 6. Swivel cord            |
| 2. Adjustable barrel            | Controls:                 |
| 3. Fixed barrel                 | ⏻ On/off button           |
| 4. Temperature indicator lights | +/- Temperature functions |
| 5. Barrel lock                  |                           |

---

## ADDITIONAL FEATURES

---

- Fast heat up—ready to use in 30 seconds.
- Automatic safety shut off – this unit will switch itself off if no button is pressed or it is left on after 60 minutes.

---

## INSTRUCTIONS FOR USE

---









- Before use, ensure the hair is clean, dry and tangle-free.
- For extra protection use a heat protection spray.
- Section the hair prior to styling. Style the lower layers first.

### Selecting the style

Use the adjustable barrel dial to set the wave style:

1. Pull the dial outwards (fig. A)
2. While holding the dial out, rotate it clockwise to lower, or counter clockwise to raise the adjustable barrel (fig. B). The dial moves one half turn (180°) between each setting. Note that if the barrel is at its lowest position (style 1), you won't be able to turn the dial clockwise.
3. Once the desired setting is selected, release the dial and it will return to its rest position (fig. C).

Adjust the barrel position and choose from the following styles:

Style		Adjustable Barrel Position
Style 1 Undone, tousled waves		
Style 2 Flowing, mermaid waves		
Style 3 Loose, beach waves		
Style 4 Deep, defined waves		

### Using

1. Select the desired style using the adjustable barrel dial.
2. Plug the product into the mains power supply.
3. Press and hold the on/off (⏻) button to switch on.
4. Select the appropriate temperature for your hair type using the "+" and "-" temperature controls on the side of the product. Start styling on lower temperatures first.
5. The "+" button will increase the temperature and the "-" button will decrease the temperature.

### Recommended Temperatures

Temperature	Hair type
150°C - 175°C	Thin / fine, damaged or bleached hair
185°C - 195°C	Normal, healthy hair
210°C	Thick and difficult to style hair

**Caution:** the hottest temperatures should only be used by experienced stylists.

6. The temperature display LED will flash until the selected temperature is reached.
7. Take a section of hair and place it between the barrels at the point of where you want the wave to start.
8. Clamp the section of hair by closing the barrels together and hold in place for 5-8 seconds
9. Open the barrel and move your waver down the section of hair, positioning it where you want the next wave to start.
10. Repeat this around the head to create as many waves as desired.
  - After use, press and hold the on/off (⏻) button to turn off then unplug the appliance.
  - **Tip:** let the waves cool before styling or brushing; this will help to prolong the style.

### **Pro+ Setting**

- To activate the PRO+ setting, press and hold the + button for 2 seconds. This will select a temperature of 185°C for healthier styling. PRO+ will appear on the display.

### **Temperature Lock Function**

- Set the desired temperature using the + and - buttons, after 5 seconds the setting will automatically lock and the 🔒 light will come on.
- Alternatively, the temperature can be locked by pressing the “-” button for 2 seconds.
- To unlock the temperature setting, press and hold the “-” button for 2 seconds.

---

## **STORAGE, CLEANING AND MAINTENANCE**

---

### **Let the appliance cool down before cleaning and storing away**

- Wipe all the surfaces with a damp cloth.
- Don't use harsh or abrasive cleaning agents or solvents.

The barrels can be locked together for easy storage

To lock, close the barrels and move the barrel lock to the locked position

To unlock move the barrel lock to the unlocked position

NOTE: Do not heat the unit in the locked position

---

## RECYCLING

---



To avoid environmental and health problems due to hazardous substances, appliances and rechargeable and non-rechargeable batteries marked with one of these symbols must not be disposed of with unsorted municipal waste. Always dispose of electrical and electronic products and, where applicable, rechargeable and non-rechargeable batteries, at an appropriate official recycling/ collection point.



---

## SERVICE AND GUARANTEE

---



Defects affecting product functionality appearing within the guarantee period will be corrected by replacement or repair at our option provided the product is used and maintained in accordance with the instructions. Your statutory rights are not affected. To claim an extra 1 year guarantee, register your product online within 28 days of purchase.

This warranty shall not be valid where it is contrary to U.S. and other applicable laws, or where the warranty would be prohibited under any economic sanctions, export control laws, embargos, or other restrictive trade measures enforced by the United States or other applicable jurisdictions. This includes, without limitation, any warranty claims implicating parties from, or otherwise located in, Cuba, Iran, North Korea, Syria and the Crimea region.

Register at: <https://uk.remington-europe.com/product-registration>

Consumables are guaranteed only for their recommended lifecycle. Replacement/spare parts\* are excluded and are only covered by a 1 year warranty.

\*Examples include, but are not limited to, adaptors, haircare attachments, grooming accessories, etc.

---

## SERVICE CENTRE

---

### United Kingdom

 0800 212 438 (free call mainland UK)

Spectrum Brands (UK) Ltd  
Fir Street, Failsworth, Manchester  
M35 0HS, UK

[www.remington.co.uk](http://www.remington.co.uk)

Product support:

[productsupport@remington.co.uk](mailto:productsupport@remington.co.uk)

### Ireland

 142 951 40

Remington Consumer Products,  
Unit B12, Ballymount Corporate Park,  
Ballymount, Dublin 12

<https://ie.remington-europe.com>

Product support:

[productsupport@remington.co.uk](mailto:productsupport@remington.co.uk)





**Ref. No. CI91AW**

**Type No. CI19A**

21/UK/ CI91AW T22-7002203 Version 06 /21

Remington® is a Registered Trade Mark of Spectrum Brands, Inc., or one of its subsidiaries.

Spectrum Brands (UK) Ltd

Fir Street,

Failsworth,

Manchester

M35 0HS

[remington-europe.com](http://remington-europe.com)

© 2021 Spectrum Brands, Inc.